

**Robust**  
**Compact**  
**Easy to service**  
**Easy to maintain**



### ■ *The Most Reliable Print-Heads Series*

The EASY-Series is the most efficient coding solution for side printing on most surfaces.

3 versions available to bring the adequate solution for Marking needs

18 - 72 or even up to 144mm print-band able to print any text - logo - 1D & 2D barcode - image -

Time & Date - variables - and even more ...

### *The Perfect Coding Solutions*

- Text from 0.7 to 144mm
- Ink low alarm
- Secured ink system design (leak-free)
- The ink bottle can be replaced without any stop in the production.
- Inks for porous and non-porous surfaces



# Easy - Series

## HIGH RESOLUTION PRINT-HEADS

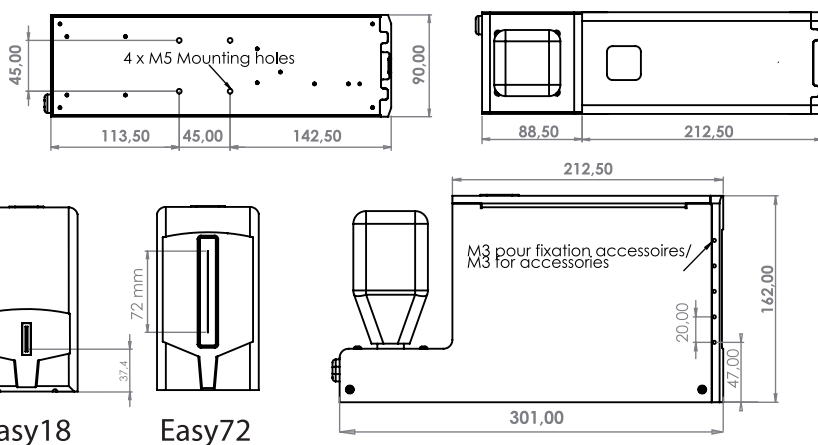
### SPECIFICATIONS

#### SPECIFICATIONS

Version	Easy18	Easy72-35pl	Easy72-80pl	Easy144-35pl	Easy144-80pl
Drop size	80 pl	35 pl	80 pl	35 pl	80pl
Max Printing Speed at 180Dpi	42m/min	60m/min	38m/min	60m/min	38m/min
Printing Frequency	5Khz	7.3Khz	4.3Khz	7.3Khz	4.3Khz
Weight	2.5Kg	2.5Kg	2.5Kg	3.6Kg	3.6Kg
Lowest Printing dot	37.4mm	47mm	47mm	51mm	51mm
Housing	Anodised Aluminium and Stainless steel				
Electrical Specifications	12vdc - From data cable / Controller				
Operating Environment	From 5 to 45°C - Humidity from 0 to 90% (non condensing)				
IP degree	IP20				
Conformity	EMC Directive 2014/30/EU - RoHS 2011/65/EU - Low voltage directive (LVD) 2014/35/EU				

#### DIMENSIONS

##### Easy18 - Easy72



Easy18

Easy72

Your Local ALE dealer :

##### Easy144

